



Lifestyle LP & LPSi Programmers & Timeswitches

Drayton

by **Schneider** Electric

Lifestyle LP & LPSi

“ The lifestyle range of programmers and timeswitches are designed and engineered to make these popular products even easier to use for both the installer and the home-owner.

Made for simplicity

- Easy to use
- Automatic summer/winter time change
- Memory saver – programme and clock never need resetting even in the event of a power failure
- Easy to read, backlit screen
- Traditional design
- Pre-set clock
- On/once/twice/off switching positions
- 3 timing periods per day
- Programme advance buttons, with LCD indication
- Boost, giving 1, 2 or 3 hours, with LCD indication
- Holiday mode
- All programmers suitable for fully pumped or gravity heating systems
- Timeswitches are ideal for combination boilers and control of additional zones etc. (volt free contacts)
- Universal backplate
- Proven reliability
- Industry standard wallplate
- Part L compliant (part J in Scotland)

Extra features for LPSi

- Service period selectable
- Reduces comfort level
- Warning period
- Visual indication on LCD
- Audible alarm
- Backlit display flashes providing visual warning
- Separate reset unit
- Standard back-plate
- Industry standard wallplate

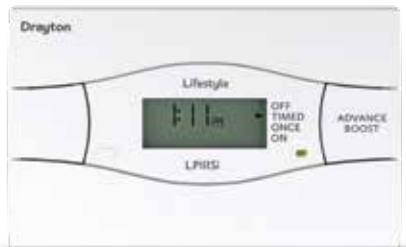


Drayton's market leading range of Lifestyle LP and LPSi time controls now have extra features making them even easier to use.

The Lifestyle LP and LPSi range of programmers and timeswitches have a well established reputation for quality and reliability. Now extra features make these popular products even easier to use for both installer and home-owner. The Lifestyle range has automatic summer/winter time adjustment, making the bi-annual summer/ winter manual reset a thing of the past. In addition, the LP range has an accurate, preset clock, virtually eliminating the need for time adjustments through the product's life. The clock is pre-set at the factory, so installers can focus on completing other tasks instead of spending time setting or re-setting the clock during installation.

With all the features of Drayton's market leading LP time controls, the LPSi features a service interrupter to alert householders when their boiler service is due. Thirty days before the boiler is due to be serviced the LPSi enters a warning period. During this time, the backlit display flashes providing a visual warning and the resident can read when the service is due on the display. All buttons/programming features are fully functional during this time. If the boiler is not serviced despite the warnings, the LPSi will then reduce the comfort level in the property to a safe but uncomfortable level, encouraging the resident to call an engineer to check their heating system.

Available to suit most combination and conventional boiler systems, the time controls allow up to three time periods per day. LED's give an instant indication of the unit's operational status, while advance buttons allow additional control over the set programme. The LP range has large buttons and uncomplicated controls, and its streamlined design makes it one of the most visually appealing products in the market today. Lifestyle LP products are also supplied in Drayton's range of control packs for mid position or zone valve installations.



LP111/Si 24 Hour Timeswitch

Where simple time control is adequate, particularly for combi boilers, LP111/LP111Si is the ideal solution. With an improved display and four switching options it still remains a favourite with the elderly in particular.



LP112 24 Hour Programmer

With common timings of heating and hot water, LP112 keeps control of fully pumped or gravity systems with no great input from the user. An improved display and four switching options are now standard features.



LP722/Si 7 Day Programmer

The top of the range LP722/LP722Si allows independent programming of each channel every day of the week. Where occupation varies, controlling the heating to suit can give considerable savings in energy costs. Holiday mode allows temporary shut down for chosen periods.



LP711/Si 7 Day Timeswitch

For enhanced levels of combi control, LP711/LP711Si gives the end user real flexibility with programming. With an individual day programme built in, the setting of each days timings can be changed if required. Ideal where living patterns vary during the week.



LP241/Si 24 Hour Programmer

If independent timing of each channel is required, linked to easy setting, LP241/LP241Si meets this criteria. For fully pumped systems heating and hot water, it can operate at different times, giving greater scope for efficient use of energy.



LP822 Universal Programmer

For more control over the programming of your heating and hot water, the LP822 gives the option of the features of the LP241, LP522 or the LP722 at installation.



LP811 Universal Timeswitch

Allowing simple control or enhanced levels of control for combi boilers, the LP811 allows the home owner to choose the functionality of either the LP111 or the LP711 at installation.



LP522/Si 5 day/2 day Programmer

Allowing different programmes for weekdays and weekends, and independent timing of each channel. LP522/LP522Si provides the ability to control centrals heating even more efficiently. No longer do systems have to switch on as early at weekends as they do on weekdays.



LPSi Reset Unit

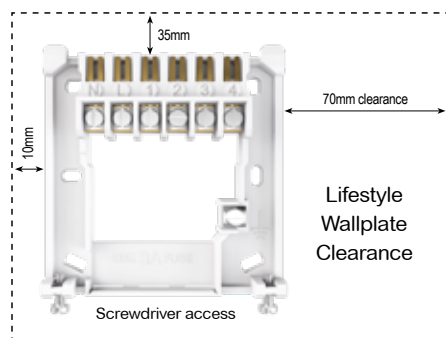
The easy to use reset unit can be operated by simply pointing it at the programmer or timeswitch and pressing the button. The unit cannot be cloned and there is no need to remove the programmer or timeswitch from the wall before operation.

Getting technical

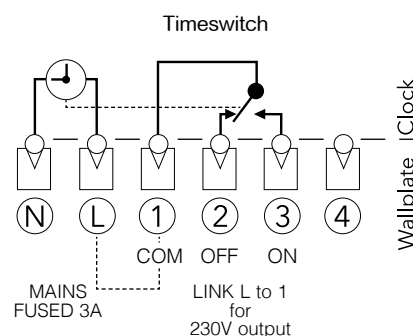
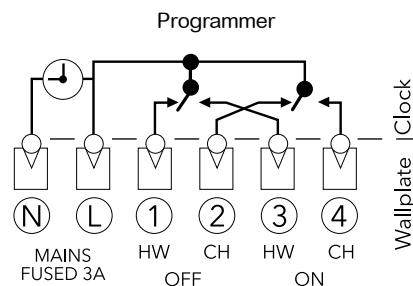
	LP and LPSi
Power supply	230V a.c. +10% -10% 50Hz
Switch rating	2(1)A 230V a.c. each switch
Wiring	Designed for fixed wiring only, to comply with current IET wiring regulations (BS7671).
Mounting	Industry standard wall plate
Output	Programmers; 230V a.c. Timeswitches: according to supply to common terminal - volt-free contacts
Ambient temperature	Operating: 0 to 50°C / Storage: -20 to 50°C
Ambient humidity (non condensing)	Operating 25% to 90% / Storage 15% to 95%
Timing resolution	1 minute
Programming resolution	1 minute
Ball pressure test temperature	75°C
Pollution degree	2
Software class	A
Without mains power	Display: Blank Time and Programme: Always retained
Rated impulse voltage	2.5kV
Relevant directives	2014/35/EU Low Voltage Directive 2014/30/EU Electromagnetic Compatibility Directive 2006/66/EC Batteries Directive 2011/65/EU (and all amendments) RoHS Directive
Applied standards	EN60730-1; EN60730-2-7

Product	Part No.
LP111	25477
LP711	25478
LP112	25473
LP811	25463
LP241	25474
LP522	25475
LP722	25476
LP822	25464
LPSi reset unit	25489
LP241si	25490
LP522Si	25491
LP722Si	25492
LP111Si	25493
LP711Si	25494

How we measure up



Wiring



draytoncontrols.co.uk

Customer & Technical Support: 0333 6000 622

D41-14

In accordance with our continuous improvement procedures, we reserve the right to change design features and specifications without prior notification. The Data contained in this document is for guidance only. Drayton accepts no liability for any consequential losses, injury or damage resulting from the use of this document or the information contained within.



Join The Drayton Community
Facebook Group

MADE IN BRITAIN®